

V

B

C

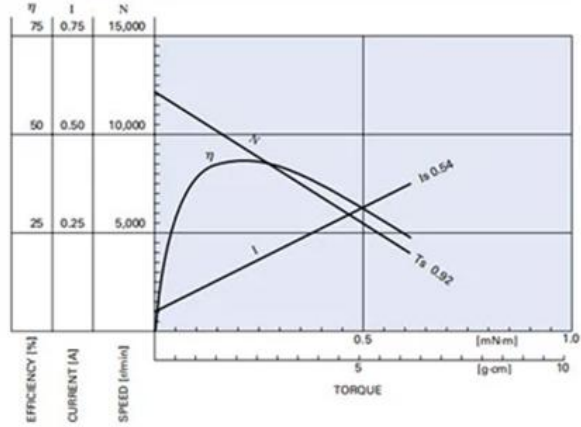
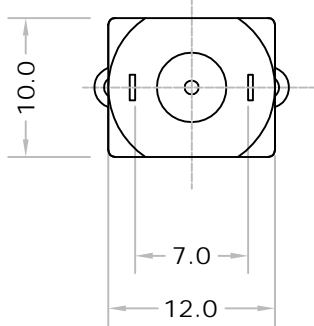
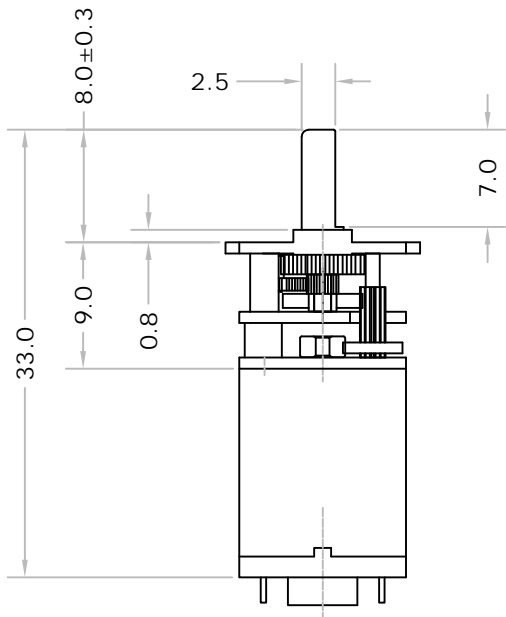
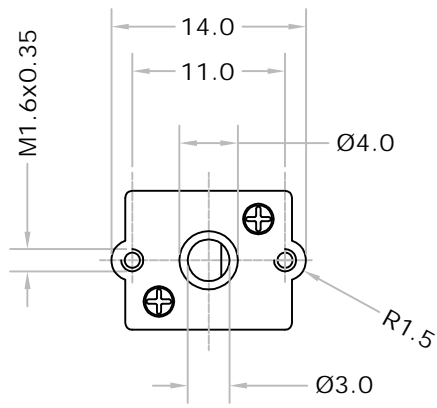
D

E

F

G

H



Input voltage	3V DC
Output speed at No load	300- 330 rpm
Current at No load	65 mA max
Rated torque	75g cm
Current at Rated torque	200 mA max
Speed at Rated torque	290- 310
Stall torque	540g cm
EMC	Varistor



					Dimensions in mm	Not to scale	Decimal ±0.1	Angular ±1°	Critical	UB Associates
					THIRD ANGLE PROJECTION			Functional		
					Material			Drawn crb	Title N20 Geared motor	
					Material spec			Date 24.8.2020		
REV.	LOC	Description	Date	APD	Finish / Treatment			Qty	Drg No. UB 03 000	Rev